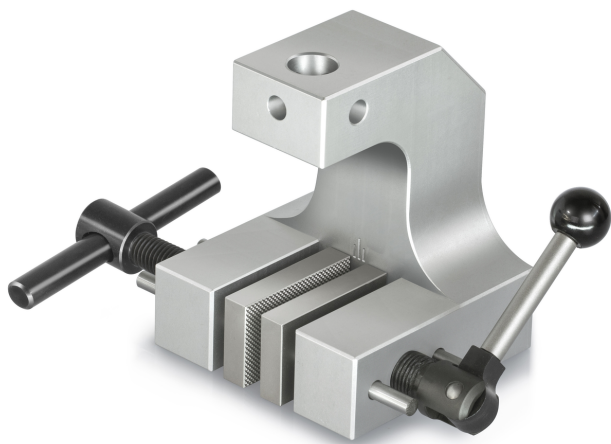


# KERN AD 9076

**KERN**

Screw-in clamp 5 kN, scope of delivery: 2 pieces



## Category

Brand	Sauter
Product category	Clamp
Product group	Screw tension clamp

## Construction

Material	aluminium
Mounting - force dissipation	Threaded hole M6 External thread M12
Tensile/compressive force [Max]	5 kN
Maximum clamp width	50 mm
Clamping width	15 mm

## Environmental conditions

Storage temperature [Min]	-10 °C
Storage temperature [Max]	40 °C

## Packing & Shipping

Readability force [d] (N)	14 d
Net weight	1,3 kg
Shipping method	Parcel service
Net weight approx.	1,4 kg
Gross weight approx.	1,4 kg
Shipping weight	1,3 kg

## Pictograms